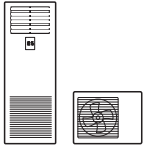




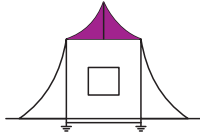
AC POWER

电源高集成度防护方案

High integration protecting solutions of power



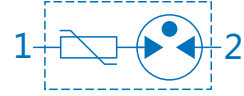
Air Conditioner



LPZ0_B-2



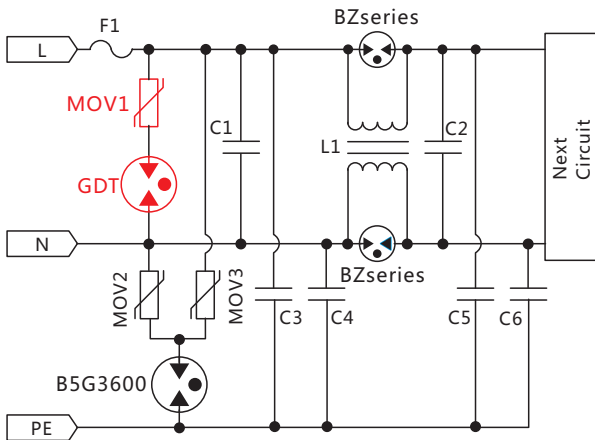
BGM8000A03-LE2



$I_{pp} \geq 3KA @ 8/20\mu s$
Low Clamping Voltage $V_{BR} \geq 600V$

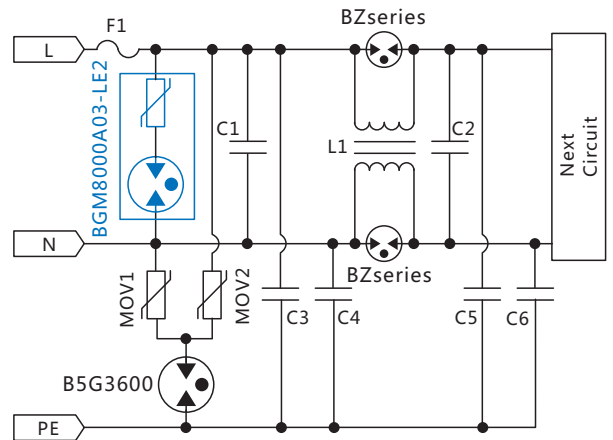
行业传统方案

Industrial traditional solutions



槟城创新方案

Bencent's innovative solutions



DC Breakdown Voltage (V_{BR}) of GDT 100V/s (V)	Tolerance of V_{DC} (V)	Varistor Voltage @1mA DC	Tolerance of V_{1mA} (V)	Impulse Spark-over Voltage 1.2/50 μs @6KV (V)	Impulse Discharge Current 8/20 μs (KA)	Capacitance Co(pF) 0.5VDC@1KHz	Size L*W*H (mm)
800	≥ 600	≥ 800	423-517	≤ 2000	5	≤ 10	$\Phi 20.0 \times 17.0 \times 9.0$



深圳市槟城电子有限公司
Shenzhen Bencent Electronics Co.,Ltd.
+86-755-26515027/26515060-808
www.bencent.com.cn